

ALL STAINLESS STEEL PRESSURE GAUGE

The label *Trafag Industrial Components* extends the Trafag brand name to instruments manufactured by qualified partner companies.

Trafag Industrial Components complement the genuine Trafag product range to offer customers a complete portfolio from one single source.

The TMP601 All Stainless Steel Pressure Gauge with welded capsule allows the monitoring of low pressures down to 6 mbar.



Applications

- Liquid & gaseous mediums
- Corrosive environments
- Oil & Gas applications
- Chemical & Petrochemical
- Food & Beverages
- Nuclear power plants

Features

- All SS measuring system
- Socket-case, direct welded
- Low pressure application (<0.6 bar)
- Zero adjustment on dial

Reference

- EN 837-3
- ATEX 2014/34/UE

Standard parameters	
Accuracy	CL 1.6
Ambient temperature	-40 ... + 65°C
Service temperature	150°C max
Pressure limits	Steady pressure up to FS value Fluctuating pressure up to 90% of FS value
Weld joints	TIG argon arc welding
Measuring range	-600 ... 0 mbar to 0 ... 600 mbar

Ordering code

		TMP601 - XX - XXX - XX - XXX - XX - XX - XX	
1. Dial size	63 mm / 2½" ⁴	25	100 mm / 4" 04
	125 mm / 4½"	05	150 mm / 6" 06
2. Range	Refer "Range Table"		XXX
3. Mounting pattern	Direct, Bottom connection ⁴	B0	Panel/Front flange mounting, Centre back connection R2
	Wall/Surface/Projection mounting, Bottom connection	B1	Lower, Back connection L0
	2" Pipe/Yoke mounting, Bottom connection	B2	Panel/Front flange mounting, Lower Back connection L1
	Panel/Front flange mounting, Bottom connection	B3	Panel/bracket mounting, Lower Back connection L2
	Center back connection	R0	
4. Process connection¹	¼" BSP (M)		12B
	¼" NPT (M)		12N
	3/8" BSP (M)		13B
	½" BSP (M)		14B
	M20 X 1.5 mm (M)		14M
	½" NPT (M)		14N
5. Ingress protection	IP 54		EV
6. Execution	Dry ²		EA
	Dampening liquid filled, glycerine (0 ... 100 mbar up to 0 ... 600 mbar or equivalent)		EG
7. Other options	Case & Ring in AISI 316 SS (Drawing B0)	BA	Vent plug, ON-OFF type RW
	Case & Ring in AISI 316 SS (Drawing B1)	BB	Drain hole, Dn3 RY
	Case & Ring in AISI 316 SS (Drawing B2)	BC	5 - point calibration certificate TA
	Case & Ring in AISI 316 SS (Drawing B3)	BD	Material test certificate 3.1 TC
	Case & Ring in AISI 316 SS (Drawing R0)	BG	Material test certificate 2.2 TM
	Case & Ring in AISI 316 SS (Drawing R2)	BI	Certification for Oxygen service TO
	Case & Ring in AISI 316 SS (Drawing L0)	BK	SS tag plate, AISI 304 SS XF
	Case & Ring in AISI 316 SS (Drawing L1)	BL	SS tag plate, AISI 316 SS XG
	Case & Ring in AISI 316 SS (Drawing L2)	BM	Custom designed dial XR
	Dampening screw, AISI 316 SS	EN	Dial tag marking XT
	Plexi glass	GB	ATEX Version ³ AX
	Shatterproof safety glass	GC	
	AISI 316 SS movement	GL	

¹ For other connections, please contact factory.

² Case & Ring in AISI 316 SS from DN100 onwards.

³  II 2 G Ex h IIC T6...T5 Gb X
II 2 D Ex h IIC T85°C...T100°C Db X

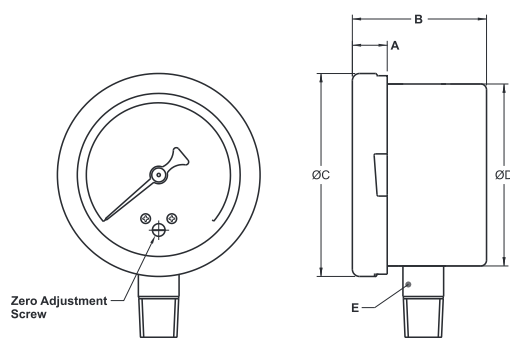
⁴ DN63 available in mounting pattern B0 and R0.

⁵ DN63 available with ¼" connections. Other connections through adaptors

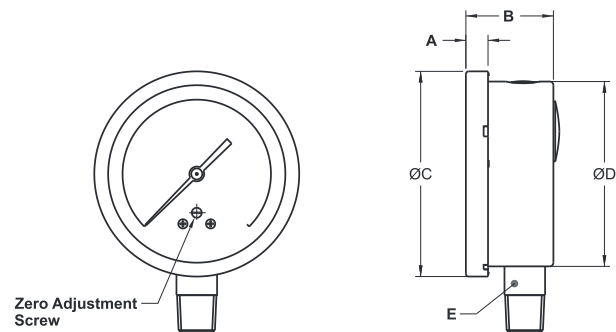
Specifications		
Material of construction	Sensing element	Welded capsule
	Case & Ring material	AISI 304 SS (Bayonet type)
	Capsule	AISI 316 SS
	Shank	AISI 316L SS (Welded directly to case)
	Movement mechanism	AISI 304 SS
	Dial	Aluminum, black graduation on white background with external zero adjustment on dial
	Pointer	Fixed, aluminum, black powder coated
	Gaskets, Blow off disc & filling plug	Neoprene
	Window	Sheet glass
Standard specifications	Dial size	DN63 / DN100 / DN125 / DN150
	Range	-600 ... 0 to 0 ... 600 mbar 0 ... 6 to 0 ... 16 mbar (available in DN 150) 0 ... 100 to 0 ... 600 mbar (available in liquid dampening)
	Mounting pattern	Direct, Bottom connection
	Process connection	1/2" NPT (M)
	Ingress protection	IP 54
	Execution	Dry
Temperature effect	When temperature of the measuring system deviates from reference temperature (+20°C) max error $\pm 0.4\%$ / 10K of true scale value.	

Dimensions - All dimensions are in mm

Type B0



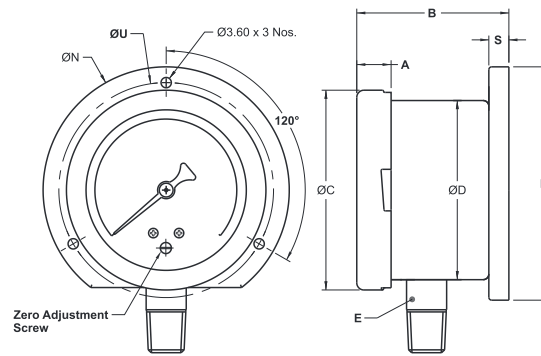
Type B0



DN	A	B	ØC	ØD	E	Weight (grams)
63	12	43	70	62,5	SQ.14	230

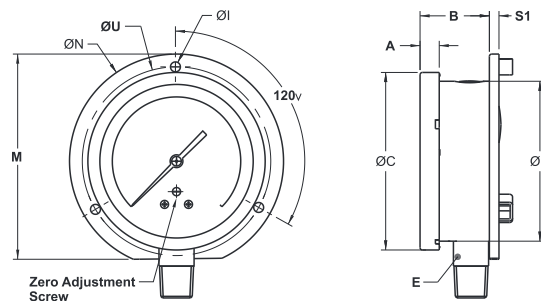
DN	A	B	ØC	ØD	E	Weight (grams)
100	12	48	111	100	SQ.22	523
125	15	48	129	118.5	SQ.22	714
150	15	48	161	149	SQ.22	932

Type B1



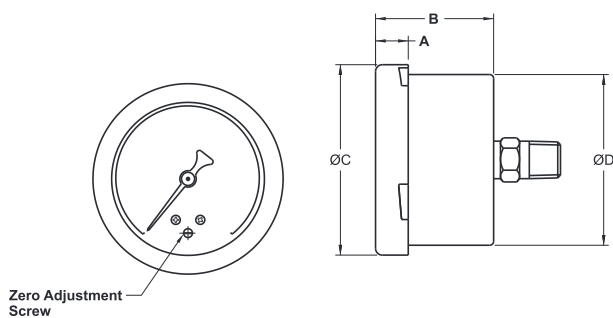
DN	A	B	ØC	ØD	E	ØN	ØU	M	S	Weight (grams)
63	12	42	70	62,5	SQ.14	86	75	77	7	284

Type B1



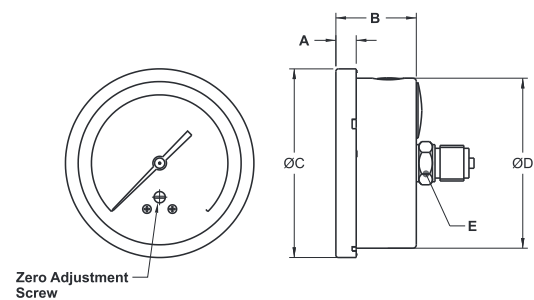
DN	A	B	ØC	ØD	E	Ø1	M	ØN	S1	ØU	Weight (grams)
100	12	52	111	100	SQ.22	6	128	134	6	118	638
125	15	50	129	118.5	SQ.22	6	143.5	150	4	137	821
150	15	52	161	149	SQ.22	6	172.4	186	6	168	1105

Type R0



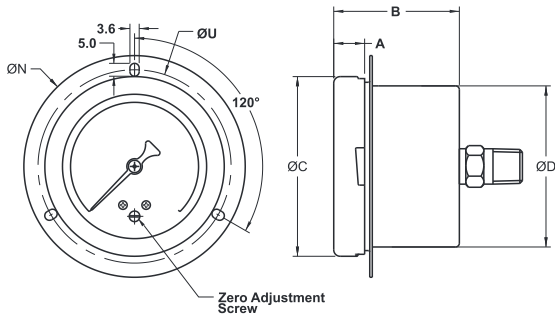
DN	A	B	ØC	ØD	Weight (grams)
63	12	43	69,7	62,5	230

Type R0



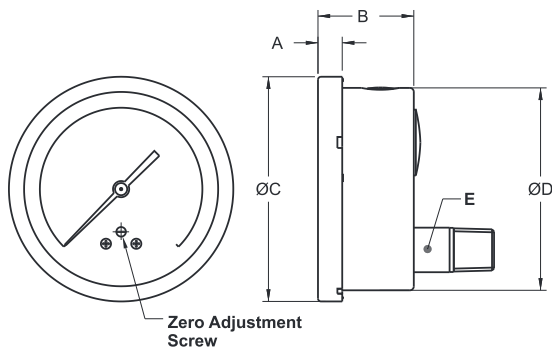
DN	A	B	ØC	ØD	E	Weight (grams)
100	12	48	111	100	SQ.22	523
125	15	48	129	118.5	SQ.22	714
150	15	48	161	149	SQ.22	932

Type R2



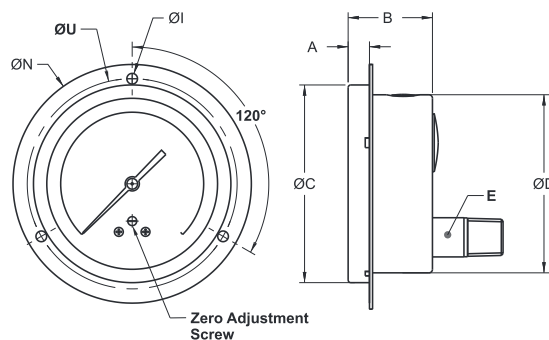
DN	A	B	ØC	ØD	ØN	ØU	Weight (grams)
63	12	43	69,7	62,5	86	75	240

Type L0



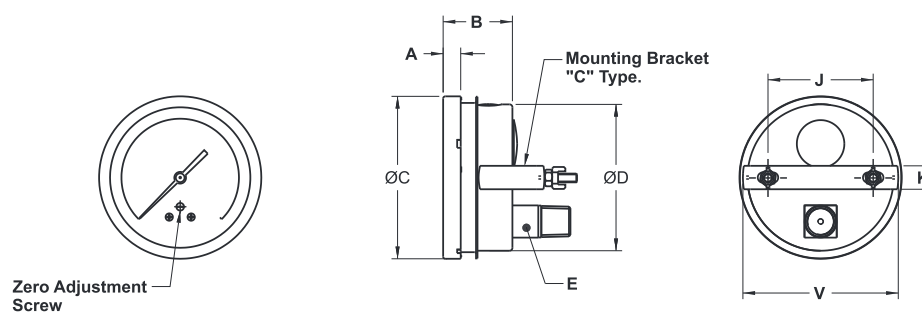
DN	A	B	ØC	ØD	E	Weight (grams)
100	12	48	111	100	SQ.22	523
125	15	48	129	118.5	SQ.22	714
150	15	48	161	149	SQ.22	932

Type L1



DN	A	B	ØC	ØD	E	ØI	ØN	ØU	Weight (grams)
100	12	48	111	100	SQ.22	6	134	118	605
125	15	48	129	118.5	SQ.22	6	150	137	814
150	15	52	161	149	SQ.22	6	186	168	2458

Type L2



DN	A	B	ØC	ØD	E	J	K	V	Weight (grams)
100	12	48	111	100	SQ.22	72	16	108	620
125	15	48	129	118.5	SQ.22	75	15	125	815
150	15	52	161	149	SQ.22	106,5	16	158,5	1091

Standard Ranges	
RANGE (mbar)	TYPE CODE
0 ... 6	A01
0 ... 10	A02
0 ... 16	A03
0 ... 25	A04
0 ... 40	A05
0 ... 60	A06
0 ... 100	A07
0 ... 160	A08
0 ... 250	A09
0 ... 400	A10
0 ... 600	A11
-6 ... 0	A12
-10 ... 0	A13
-16 ... 0	A14
-25 ... 0	A15
-40 ... 0	A16
-60 ... 0	A17
-100 ... 0	A18
-160 ... 0	A19
-250 ... 0	A20
-400 ... 0	A21
-600 ... 0	B00

General notes

- Other scales & measurement units are available.
- Equivalent scales available in kg/cm², psi, kPa, MPa, bar/psi, kPa/bar, kPa/psi or any other special scales.
- Primary scales shall be in "BLACK" and secondary scales shall be "RED".
- Special scales, custom dial designs, OEM/private logo printing is available, details contact our marketing team.
- Any other range codes which are not available in the list shall be confirmed by factory.

Additional information			
Documents	Data sheet	H20012	www.trafag.com/H20012
	Instructions	H21012	www.trafag.com/H21012