

SS CASE BRASS PRESSURE GAUGE

The label *Trafag Industrial Components* extends the Trafag brand name to instruments manufactured by qualified partner companies.

Trafag Industrial Components complement the genuine Trafag product range to offer customers a complete portfolio from one single source.

The TMP603 Brass Pressure Gauge with welded capsule and stainless steel case allows the monitoring of low pressures with external zero adjustment.



Applications

- Clean- air applications

Features

- Compact design
- Stainless steel case
- Zero adjustment on dial
- Low pressure application (<0.6 mbar)

Reference

- EN 837-3

05/2017

Data sheet H20014a

Standard parameters	
Accuracy	CL 1.6
Ambient temperature	-40 ... +65°C
Service temperature	100°C max
Pressure limits	Steady pressure up to 75% of FS value, No over-pressure
Weld joint	Silver alloy brazing
Measuring range	-600 ... 0 to 0 ... 600 mbar

Ordering code

		TMP603 - XX - XXX - XX - XXX - XX - XX - XX						
1. Dial size	63 mm / 2½" ⁵							
	100 mm / 4"	25						
	160 mm / 6"	04						
2. Range	Refer "Range Table"		XXX					
3. Mounting pattern	Direct, Bottom connection ⁴					B0		
	Centre, Back connection ⁴					R0		
	Panel/Front flange mounting, Centre back connection					R2		
4. Process connection¹	¼" BSP (M)							12B
	¼" NPT (M)							12N
	3/8" BSP (M)							13B
	½" BSP (M)							14B
	M20 X 1.5 mm (M)							14M
	½" NPT (M)							14N
5. Ingress protection	IP 54							EV
6. Execution	Dry							EA
7. Other option	Case & Ring in AISI 316 SS (B0) ²	BA	Shatterproof safety glass	GC	Custom designed dial			XR
	Case & Ring in AISI 316 SS (R0) ²	BG	5 - point calibration certificate	TA	Dial tag marking			XT
	Case & Ring in AISI 316 SS (R2) ²	BI	Material test certificate 2.2	TM				
	Dampening screw, Brass	EO	Certification for Oxygen service	TO				
	Painted steel case ³	G8	SS tag plate, AISI 304 SS	XF				
	Plexi glass	GB	SS tag plate, AISI 316 SS	XG				

¹ For other connections, please contact factory.

² Case & Ring in AISI 316 SS from DN100 onwards.

³ Option 'G8' to be selected together with option 'GB'.

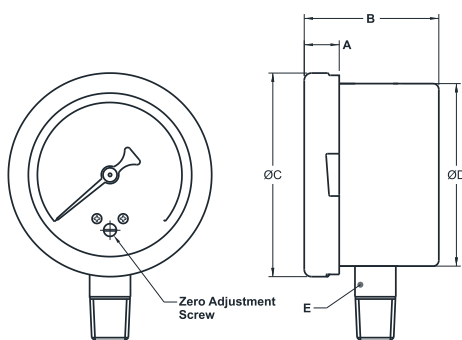
⁴ DN63 available in mounting pattern B0 and R0 only.

⁵ DN63 available with ¼" connections. Other connections through adaptors.

Specifications		
Material of construction	Sensing element	Welded capsule
	Case & Ring material	AISI 304 SS (Bayonet type)
	Capsule	Cu- alloy
	Shank	Cu- alloy
	Movement mechanism	Cu- alloy
	Dial	Aluminum, black graduation on white background with external zero adjustment on dial
	Pointer	Fixed, aluminum, black powder coated
	Gaskets, Blow off disc & filling plug	Neoprene / NBR
	Window	Sheet glass
Standard specifications	Dial size	DN63 / DN100 / DN125 / DN150
	Range	-600 ... 0 to 0 ... 600 mbar
	Mounting pattern	Direct, Bottom connection
	Process connection	1/2" NPT (M) / 1/2" BSP (M)
	Ingress protection	IP 54
	Execution	Dry
	Temperature effect	When temperature of the measuring system deviates from reference temperature (+20°C) max error $\pm 0.4\%$ / 10K of true scale value.

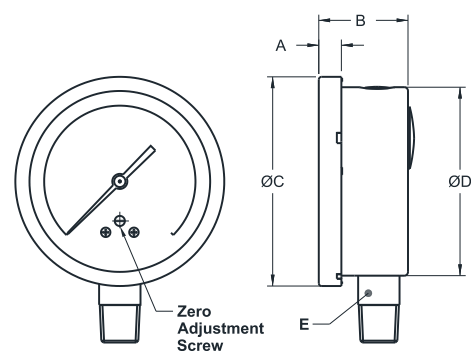
Dimensions - All dimensions are in mm

Type B0



DN	A	B	ØC	ØD	E	Weight (grams)
63	12	43	70	62,5	SQ.14	230

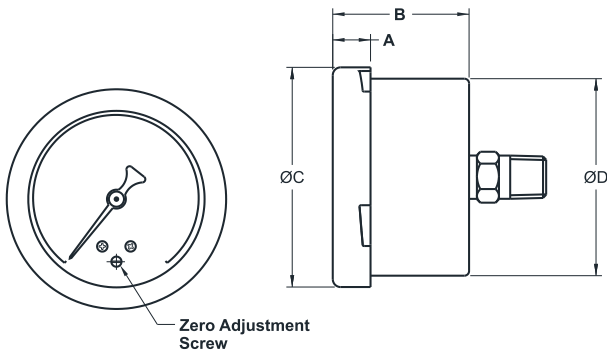
Type B0



DN	A	B	ØC	ØD	E	Weight (grams)
100	12	48	111	100	SQ.22	523
125	15	48	129	118,5	SQ.22	714
150	15	48	161	149	SQ.22	932

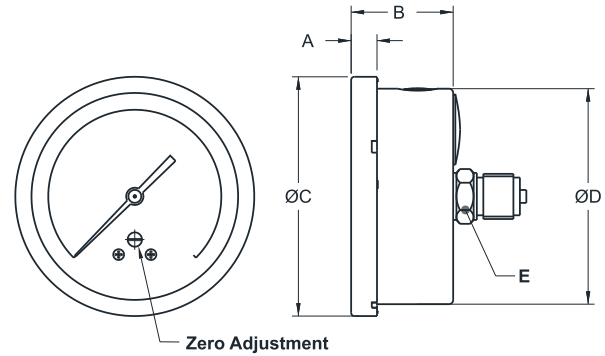
TMP603

Type R0



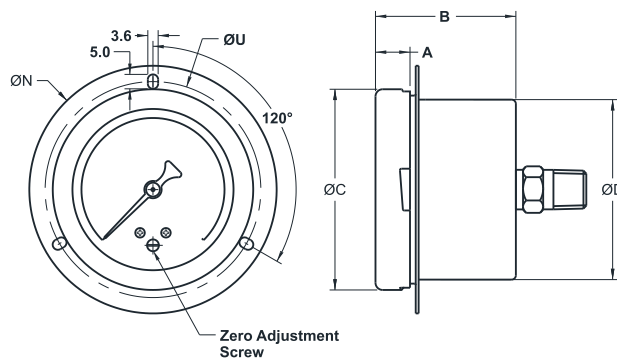
DN	A	B	ØC	ØD	Weight (grams)
63	12	43	69,7	62,5	230

Type R0



DN	A	B	ØC	ØD	E	Weight (grams)
100	12	48	111	100	SQ.22	526
125	15	48	129	118,5	SQ.22	714
150	15	48	161	149	SQ.22	920

Type R2



DN	A	B	ØC	ØD	ØN	ØU	Weight (grams)
63	12	43	69,7	62,5	86	75	245

Standard Ranges	
RANGE (mbar)	TYPE CODE
0 ... 6	A01
0 ... 10	A02
0 ... 16	A03
0 ... 25	A04
0 ... 40	A05
0 ... 60	A06
0 ... 100	A07
0 ... 160	A08
0 ... 250	A09
0 ... 400	A10
0 ... 600	A11
-6 ... 0	A12
-10 ... 0	A13
-16 ... 0	A14
-25 ... 0	A15
-40 ... 0	A16
-60 ... 0	A17
-100 ... 0	A18
-160 ... 0	A19
-250 ... 0	A20
-400 ... 0	A21
-600 ... 0	B00

General notes

- Other scales & measurement units are available.
- Equivalent scales available in kg/cm², psi, kPa, MPa, bar/psi, kPa/bar, kPa/psi or any other special scales.
- Primary scales shall be in "BLACK" and secondary scales shall be "RED".
- Special scales, custom dial designs, OEM/private logo printing is available, details contact our marketing team.
- Any other range codes which are not available in the list shall be confirmed by factory.

Additional information			
Documents	Data sheet	H20014	www.trafag.com/H20014
	Instructions	H21012	www.trafag.com/H21012