

Industrial Pressure Transmitter



Product description

The economic pressure transmitter ECT 8473 is based on the tried and true ECT line of transmitters with the wide media temperature range from -25 to 125°C. The enhanced accuracy and the low pressure ranges down to 100 mbar in combination with a comprehensive set of features, materials and options makes the ECT 8473 pressure transmitter an ideal and versatile solution suitable for a wide variety of applications.

Applications

- Machine tools
- Hydraulics
- Water treatment

Features

- Measuring ranges from 100 mbar
- Excellent media compatibility
- Relative or absolute pressure measurement
- Titanium version optional
- Frontal membrane optional

EMC: 2014/30/EU

S.I. 2016 No. 1091

RoHS/Reach compliant

UL-listed version

Technical Data

Measuring principle	Thick-film-on-ceramic
Measuring range	0 ... 0.1 to 0 ... 40 bar 0 ... 1.5 to 0 ... 500 psi
Output signal	4 ... 20 mA, 0 ... 5 VDC, 1 ... 6 VDC, 0 ... 10 VDC, 0.5 ... 4.5 VDC ratiometric
Media temperature	-25°C ... +125°C
Ambient temperature	-25°C ... +125°C Cable PVC 22: -5°C ... +60°C Cable PUR 24: -20°C ... +70°C Cable Raychem 08: -20°C ... +100°C

Additional information

Data sheet www.trafag.com/H72326
 Instructions www.trafag.com/H73324
 Accessories www.trafag.com/H72258
 Video <https://youtu.be/wFR-nAp8bso>

Ordering information/Type code

Ordering information/Type code				8473	XX	XX	XX	XX	XX	XX	
Measuring range ¹⁾	Pressure measurement range [bar]	Over pressure [bar]	Burst pressure [bar]	Pressure-measurement-range [psi]	Over pressure [psi]	Burst pressure [psi]					
	0 ... 0.1	1.2	2	66	0 ... 1.5	15	30	F6			
	0 ... 0.16	1.2	2	67	0 ... 2	15	30	F7			
	0 ... 0.2	1.2	2	68	0 ... 2.5	15	30	F8			
	0 ... 0.4	1.2	2	69	0 ... 5	15	30	F9			
	0 ... 0.6	1.2	2	70	0 ... 10	20	30	G0			
	0 ... 1.0	2	3	71	0 ... 15	30	45	G1			
	0 ... 1.6	3.2	4.8	73	0 ... 20	40	60	G3			
	0 ... 2.5	5	7.5	75	0 ... 30	60	90	G5			
	0 ... 4	8	12	76	0 ... 50	100	150	G6			
	0 ... 6	12	15	77	0 ... 100	200	250	G7			
	0 ... 10	20	25	78	0 ... 150	300	375	G8			
	0 ... 16	32	40	79	0 ... 200	400	600	GA			
	0 ... 25	50	75	80	0 ... 250	500	625	G9			
	0 ... 40	80	100	81	0 ... 400	800	1200	H0			
	Option 5P: Fivefold overpressure				0 ... 500	1000	1250	H1			
	0 ... 2.5	12.5	18	55							
	0 ... 4	20	30	56							
	0 ... 6	30	48	57							
	0 ... 10	50	75	58							
	0 ... 16	80	120	59							
Sensor	Relative pressure, Material pressure connection and housing: 1.4305 (AISI303)						54				
	Relative pressure, Material pressure connection and housing: 1.4404/1.4435 (AISI316L) ²⁾						56				
	Relative pressure, Material pressure connection and housing: 1.4462 (AISI318LN) ²⁾						50				
	Relative pressure, titanium grade 5 ²⁾						51				
	Absolute pressure, Material pressure connection and housing: 1.4305 (AISI303) ²⁾³⁾						84				
	Absolute pressure, Material pressure connection and housing: 1.4404/1.4435 (AISI316L) ²⁾³⁾						86				
	Absolute pressure, Material pressure connection and housing: 1.4462 (AISI318LN) ²⁾³⁾						80				
	Absolute pressure, titanium grade 5 ²⁾³⁾						81				

8473 XX XX XX XX XX XX

Pressure connection	G1/4" female ²⁾				10			
	G1/4" male				17			
	G1/2" male DIN 3852-A ²⁾				21			
	G1/2" male DIN 3852-E ²⁾				41			
	G1/2" male DIN 3852-E, with inner cone ²⁾⁴⁾⁵⁾				59			
	1/4" NPT male, ANSI B1.20.1 ²⁾				30			
	1/8" NPT male, ANSI B1.20.1 ²⁾⁶⁾				43			
	7/16"-20UNF male, SAE4 (J1926) ²⁾				42			
	7/16"-20UNF male, DIN3866 ³⁾				18			
	7/16"-20UNF female, SAE J512 with valve opener ³⁾				24			
	7/16"-20UNF female, SAE J512 without valve opener ³⁾				44			
	9/16"-18UNF male, SAE6 (J1926) ²⁾⁷⁾				61			
	R1/4" male, DIN 3858 ²⁾				19			
	G3/4" frontal membrane ²⁾⁸⁾				52			
Electrical connection	Male electrical connector EN 175301-803-A (DIN 43650-A), Material PA				05			
	Male electrical connector M12x1, 5-pole, Material PBT				35			
	Cable PUR (Screwed cable gland PA 6-3), -20°C ... +70°C ⁹⁾¹⁰⁾				24			
	Cable PVC (Screwed cable gland PA 6-3), -5°C ... +60°C ⁹⁾¹⁰⁾¹¹⁾				22			
	Cable Raychem (Screwed cable gland PA 6-3), -20°C ... +100°C ⁹⁾¹⁰⁾¹¹⁾				08			
	3 Way male Delphi MetriPack 1.5 sealed connector, Material PA66				51			
Output signal	Output signal	Load resistance	I (supply)	U (supply)				
	4 ... 20 mA	(U _s - 9 V) / 20 mA	(= signal output)	9 ... 30 VDC	19			
	0 ... 5 VDC	≥ 2.5 kΩ	≤ 20 mA	10 ... 30 VDC	14			
	1 ... 6 VDC	≥ 5.0 kΩ	≤ 20 mA	10 ... 30 VDC	16			
	0 ... 10 VDC	≥ 5.0 kΩ	≤ 20 mA	15 ... 30 VDC	17			
	0.5 ... 4.5 VDC	≥ 5.0 kΩ	≤ 20 mA	5 VDC ± 0.25 VDC ratiom.	23			

Accessories		
Seal FKM (-20°C ... +125°C), inner and outer		61
Seal CR ≤ 100 bar (-25°C ... +100°C), inner		62
Seal EPDM (-25°C ... +125°C), inner and outer		63
Pressure peak damping element ø 1.0 mm, Material 1.4305		40
Pressure peak damping element ø 0.4 mm, Material 1.4305 (sensors 54, 84) resp. 1.4404 (sensors 50, 51, 56, 80, 81, 86)		44
Female electrical plug EN 175301-803-A (DIN 43650-A)/NBR, -40°C ... +90°C For cable diameter 4 ... 9 mm, flammability standard UL94-V0		46
Female electrical plug EN 175301-803-A (DIN 43650-A)/Silicone, -40°C ... +125°C For cable diameter 4 ... 9 mm, flammability standard UL94-V0		56
Female electrical plug EN 175301-803-A (DIN 43650-A)/NBR, -40°C ... +90°C For cable diameter 4 ... 9.5 mm, flammability standard UL94-V2		58
Female electrical plug M12x1, 5-pole		33
Cable length 1.5 m		1M
Cable length 3.0 m		3M
Cable length 5.0 m		5M
Housing nut for electrical connection EN 175301-803-A (DIN 43650-A) secured with Loctite (max. 85°C)		L9
Multiple packaging ¹²⁾		VM
UL-listed version		UL
Pin configuration, see table: Electrical connection		

⁰¹⁾ Extended overpressure as well as customized pressure ranges upon request, see table „Customised measuring ranges“

⁰²⁾ Upon request, whereas minimum order quantities may apply

⁰³⁾ Only for ranges: ≥ 400 mbar or 5 psi

⁰⁴⁾ Only for sensors 50 and 80

⁰⁵⁾ max. 16 bar / overpressure 32 bar

⁰⁶⁾ Only for sensors 56 and 86 and electrical connections 35 (others on request)

⁰⁷⁾ Only for sensors 56 and 86

⁰⁸⁾ Only with sensors 56, 50, 51, 86, 80, 81 and for pressure ranges ≤ 25 bar or 400 psi

⁰⁹⁾ Cable length see accessories (max. length 50 m, in 5-meter sections)

¹⁰⁾ IP68-rated protection: Immersion depth max. 3 m, Media +10°C ... +35°C

¹¹⁾ Pressure ranges > 16 bar (Pressure ranges ≤ 16 bar upon request)

¹²⁾ The order quantity must be a multiple of 50, only for electrical connections 05 and 35

i Vacuum measuring ranges: Measuring ranges below 0 bar (e.g. -1 bar ... 0 bar) are available as special pressure ranges

i Reversed calibration: A reversed calibration is also possible for measuring ranges below 0 bar, with the signals 4 ... 20 mA (code 19), 1 ... 6 VDC (code 16) and 0 ... 10 VDC (code 17). The signal zero point is at 0 bar, the signal end point at -1 bar, additional configurations on request

Compatibility matrix pressure connection and accessories

Code	Pressure connection	Damping		Seal		
		Ø 0.4 mm (Code 44)	Ø 1.0 mm (Code 44)	FKM ¹⁾ (Code 61)	CR ²⁾ (Code 62)	EPDM ¹⁾ (Code 63)
10	G1/4" female				✓	
17	G1/4" male	✓	✓	✓		✓
21	G1/2" male DIN 3852-A	✓	✓	✓		✓
41	G1/2" male DIN 3852-E	✓	✓	✓		✓
59	G1/2" male DIN 3852-E, with inner cone	✓	✓	✓		✓
30	1/4" NPT male, ANSI B1.20.1	✓	✓		✓	
43	1/8" NPT male, ANSI B1.20.1	✓	✓		✓	
42	7/16"-20UNF male, SAE4 (J1926)	✓	✓	✓		
18	7/16"-20UNF male, DIN 3866				✓	
24	7/16"-20UNF female, SAE J512 with valve opener				✓	
44	7/16"-20UNF female, SAE J512 without valve opener				✓	
61	9/16"-18UNF male, SAE6 (J1926)	✓	✓	✓		
19	R1/4" male, DIN 3858	✓	✓		✓	
52	G3/4" frontal membrane			✓		✓

¹⁾ Seal: inner and outer

²⁾ Seal: inner

Ordering-no. for process connections

	Combination with UL
Measuring range	All ranges on datasheet
Sensor	All codes on datasheet
Pressure connection	All codes on datasheet
Electrical connection	All codes on datasheet
Output signal	All codes except PS and T1
Accessories	All codes except GA, GS and GU

Signal processing

Code	Cut-off frequency f_c	Rise time (10 ... 90 % nominal pressure)	Output signal			
			4 ... 20 mA	0.5 ... 4.5 VDC ratiometric	0 ... 6 VDC	0 ... 10 VDC
GA ¹⁾	11 Hz	32 ms	x	x	-	-
Standard specification	350 Hz	1 ms	x	x	x	x

¹⁾ Upon request, whereas minimum order quantities may apply

Customised measuring ranges

min. pressure [bar] ¹⁾	max. pressure [bar] ²⁾	min. span [bar]	max. span [bar]	Overpressure [bar]	Accuracy	Code
-0.4	0.6	≥ 0.1	< 0.2	1.2	1.0 %	21
-0.4	0.6	≥ 0.2	< 0.5	1.2	0.5 %	21
-1	1	≥ 0.5	≤ 1.2	2	0.3 %	21
-1	2	≥ 1.2	< 2	3.2	0.3 %	22
-1	4	≥ 2	≤ 4.5	8	0.3 %	24
-1	6	> 4.5	≤ 7	12	0.3 %	25
-1	10	> 7	≤ 11	20	0.3 %	26
-1	16	> 11	≤ 17	32	0.3 %	27
-1	25	> 17	≤ 26	50	0.3 %	28
-1	40	> 26	≤ 41	80	0.3 %	29

¹⁾ Minimum pressure = Lowest zero point, start of measuring range (relative)

²⁾ Maximum pressure = Highest pressure, end of measuring range (relative)

i For absolute pressure sensors, the measuring range must include the point 1000 mbar (absolute)

i For relative pressure sensors, measuring range must include the point 0 bar (relative)

Standard configurations

Product No.	Type Code	Pressure range [bar]	Overpressure max. [bar]	Accuracy @ 25°C typ. [%]	Signal output	Pressure connection
ECT0.1A	8473 66 5417 05 0000 0000 19 58 61	0 ... 0.1	1.2	1.0	4 ... 20 mA	G1/4" male
ECT0.16A	8473 67 5417 05 0000 0000 19 58 61	0 ... 0.16	1.2	1.0	4 ... 20 mA	G1/4" male
ECT0.2A	8473 66 5417 05 0000 0000 19 58 61	0 ... 0.2	1.2	0.5	4 ... 20 mA	G1/4" male
ECT0.4A	8473 69 5417 05 0000 0000 19 58 61	0 ... 0.4	1.2	0.3	4 ... 20 mA	G1/4" male
ECT0.6A	8473 70 5417 05 0000 0000 19 58 61	0 ... 0.6	1.2	0.3	4 ... 20 mA	G1/4" male
ECT0.1V	8473 66 5417 05 0000 0000 17 58 61	0 ... 0.1	1.2	1.0	0 ... 10 VDC	G1/4" male
ECT0.16V	8473 67 5417 05 0000 0000 17 58 61	0 ... 0.16	1.2	1.0	0 ... 10 VDC	G1/4" male
ECT0.2V	8473 68 5417 05 0000 0000 17 58 61	0 ... 0.2	1.2	0.5	0 ... 10 VDC	G1/4" male
ECT0.4V	8473 69 5417 05 0000 0000 17 58 61	0 ... 0.4	1.2	0.3	0 ... 10 VDC	G1/4" male
ECT0.6V	8473 70 5417 05 0000 0000 17 58 61	0 ... 0.6	1.2	0.3	0 ... 10 VDC	G1/4" male
ECTF0.1A	8473 66 5652 05 0000 0000 19 58 61	0 ... 0.1	1.2	1.0	4 ... 20 mA	G3/4" frontal membrane
ECTF0.16A	8473 67 5652 05 0000 0000 19 58 61	0 ... 0.16	1.2	1.0	4 ... 20 mA	G3/4" frontal membrane
ECTF0.2A	8473 68 5652 05 0000 0000 19 58 61	0 ... 0.2	1.2	0.5	4 ... 20 mA	G3/4" frontal membrane
ECTF0.4A	8473 69 5652 05 0000 0000 19 58 61	0 ... 0.4	1.2	0.3	4 ... 20 mA	G3/4" frontal membrane
ECTF0.6A	8473 70 5652 05 0000 0000 19 58 61	0 ... 0.6	1.2	0.3	4 ... 20 mA	G3/4" frontal membrane
ECTF1.0A	8473 71 5652 05 0000 0000 19 58 61	0 ... 1	2	0.3	4 ... 20 mA	G3/4" frontal membrane
ECTF1.6A	8473 68 5417 05 0000 0000 19 58 61	0 ... 1.6	3.2	0.3	4 ... 20 mA	G3/4" frontal membrane
ECTF2.5A	8473 75 5652 05 0000 0000 19 58 61	0 ... 2.5	5	0.3	4 ... 20 mA	G3/4" frontal membrane
ECTF4.0A	8473 76 5652 05 0000 0000 19 58 61	0 ... 4	8	0.3	4 ... 20 mA	G3/4" frontal membrane
ECTF6.0A	8473 77 5652 05 0000 0000 19 58 61	0 ... 6	12	0.3	4 ... 20 mA	G3/4" frontal membrane
ECTF10.0A	8473 78 5652 05 0000 0000 19 58 61	0 ... 10	20	0.3	4 ... 20 mA	G3/4" frontal membrane

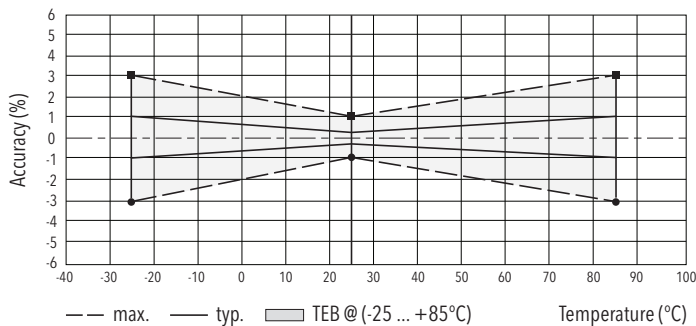
Specifications

Electrical data	Output / supply voltage	4 ... 20 mA: 24 (9 ... 30) VDC 0 ... 5 VDC: 24 (10 ... 30) VDC 1 ... 6 VDC: 24 (10 ... 30) VDC 0 ... 10 VDC: 24 (15 ... 30) VDC 0.5 ... 4.5 VDC: 5 VDC ratiometric
	Power-on delay time	max. 1.5 s
	Rise time of supply voltage	typ. 1 ms, 10 ... 90 % nominal pressure
	Inverse-polarity protection, short-circuit strength @ 25°C during 5 min.	4 ... 20 mA: to $U_s = 30$ VDC 0 ... 10 VDC, 0 ... 5 VDC, 1 ... 6 VDC: to $U_s = 30$ VDC 0.5 ... 4.5 VDC ratiometric: to $U_s = 5.25$ VDC
	Resistance of insulation	Type 14/16/17/23: > 10 M Ω , 100 VDC Type 19: > 10 M Ω , 250 VDC
	Dielectric strength	Type 14/16/17/23: 100 VAC, 50 Hz Type 19: 250 VAC, 50 Hz
	Current limiting output signal	4 ... 20 mA: appr. 25 mA max.
Environmental conditions	Media temperature	-25°C ... +125°C
	Ambient temperature	-25°C ... +125°C Cable PVC 22: -5°C ... +60°C Cable PUR 24: -20°C ... +70°C Cable Raychem 08: -20°C ... +100°C
	Storage temperature	-20°C ... +40°C
	Protection	IP65, IP67, IP68
	Humidity	max. 95 % relative
	Vibration	15 g RMS (20 ... 2000 Hz) (EN60068-2-64) 15 g Sinus (10 ... 2000 Hz) (EN60068-2-6)
	Shock	50 g/11 ms (EN60068-2-27)
EMC protection	Emission	EN/IEC 61000-6-3
	Immunity	EN/IEC 61000-6-2
Mechanical data	Sensor (wetted parts)	Ceramic, Al ₂ O ₃ (96 %)
	Pressure connection (wetted parts)	54/84: 1.4305 (AISI303) 56/86: 1.4404/1.4435 (AISI316L) 50/80: 1.4462 (AISI318LN) 51/81: Titanium Grade 5
	Housing	54/84: 1.4305 (AISI303) 56/86: 1.4404/1.4435 (AISI316L) 50/80: 1.4462 (AISI318LN) 51/81: Titanium Grade 5
	Sealing	FKM 70 Sh, CR, EPDM
	Male electrical connector	See ordering information
	Mounting torque	15 ... 20 Nm

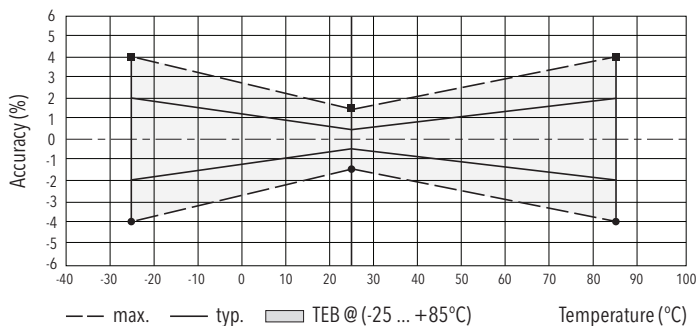
Accuracy

		Sensors 54/56/50/51/84/86/80/81		
Pressure measuring range	[bar]	≥ 0 ... 0.3	≥ 0 ... 0.2 < 0 ... 0.3	≥ 0 ... 0.1 < 0 ... 0.2
	[psi]	≥ 0 ... 5	≥ 0 ... 2.5 < 0 ... 5	≥ 0 ... 1.5 < 0 ... 2.5
			Option 5P	
TEB @ -25 ... +85°C	[% FS typ.]	± 1.0	± 2.0	± 3.0
Accuracy @ +25°C	[% FS typ.]	± 0.3	± 0.5	± 1.0
NLH @ +25°C (BSL)	[% FS typ.]	± 0.2	± 0.3	± 0.3
TC zero point and span	[% FS/K typ.]	± 0.02	± 0.02	± 0.02
Long term stability 1 year @ +25°C	[% FS typ.]	± 0.2	± 0.2	± 0.2

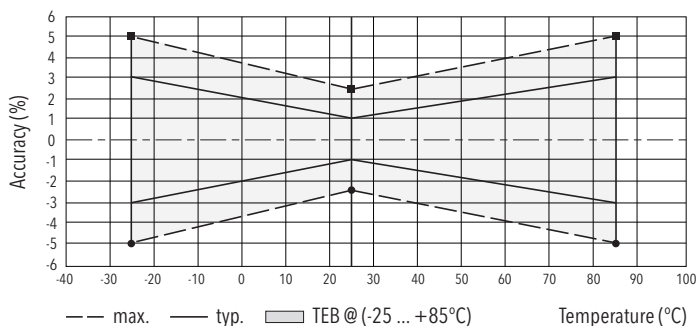
Accuracy class 0.3 %



Accuracy class 0.5 %

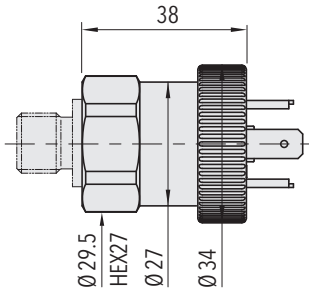


Accuracy class 1.0 %

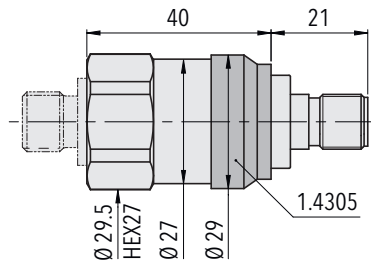


ECT 8473

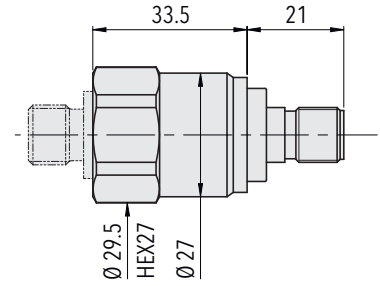
Dimensions



8473.XX.XXXX.05.XX.XX



8473.XX.XXXX.35.XX.XX



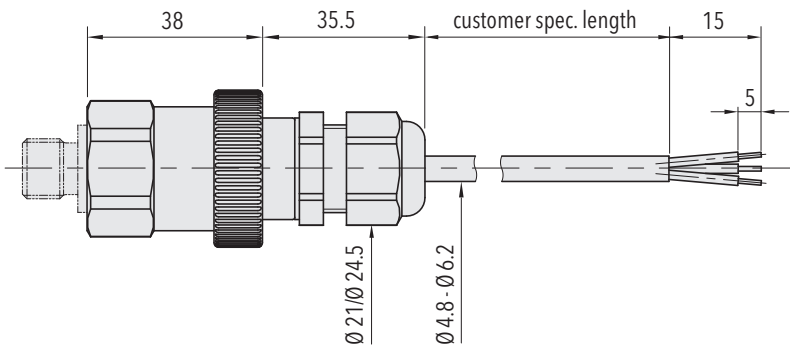
8473.XX.X417.35.XX.XX

8473.XX.X617.35.XX.XX

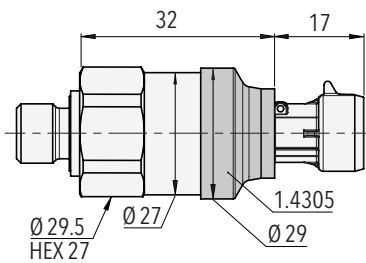
8473.XX.X642.35.XX.XX

8473.XX.X643.35.XX.XX

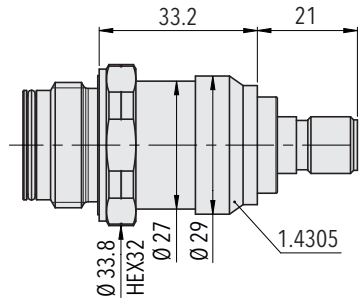
8473.XX.X652.35.XX.XX



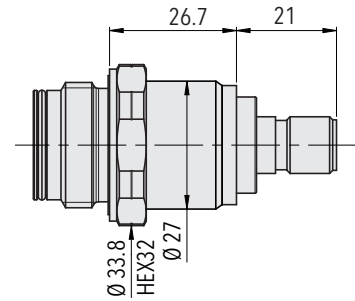
8473.XX.XXXX.22/24/08/68.XX.XX



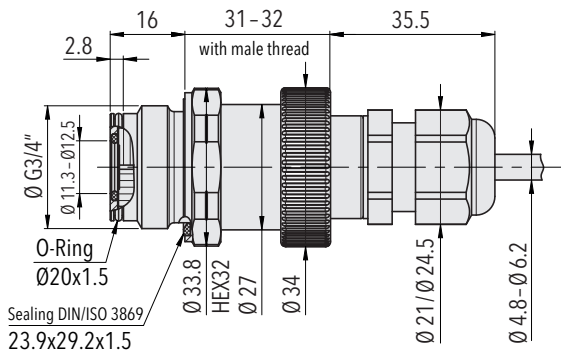
8473.XX.XXXX.51.XX.XX



8473.XX.XX52.35.XX.XX



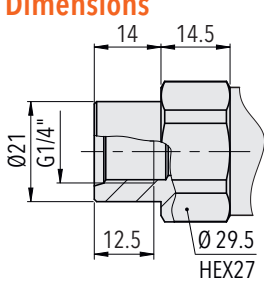
8473.XX.X652.35.XX.XX



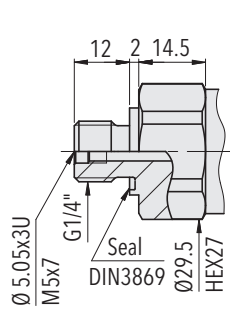
8473.XX.XX52.22/24/08.XX.XX

ECT 8473

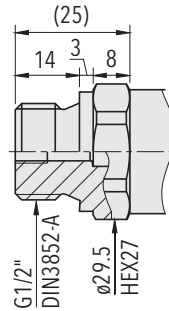
Dimensions



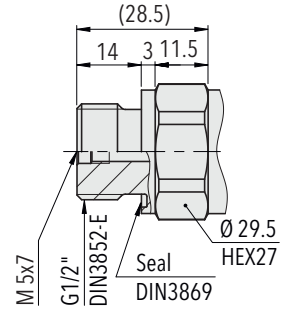
8473.XX.XX10.XX.XX.XX



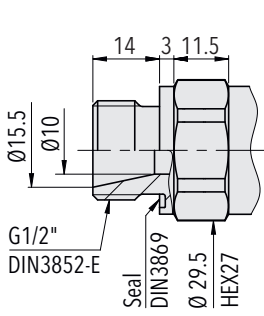
8473.XX.XX17.XX.XX.XX



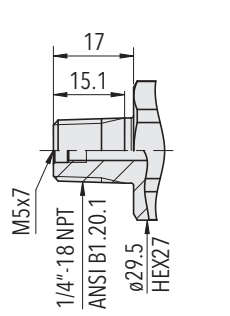
8473.XX.XX21.XX.XX.XX



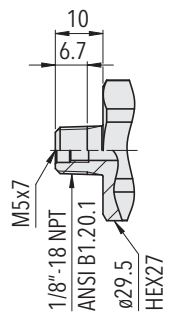
8473.XX.XX41.XX.XX.XX



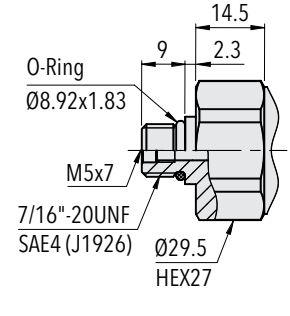
8473.XX.XX59.XX.XX.XX



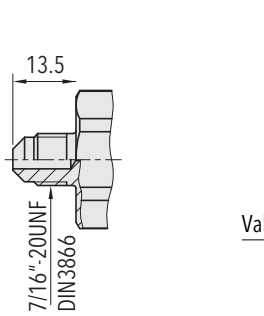
8473.XX.XX30.XX.XX.XX



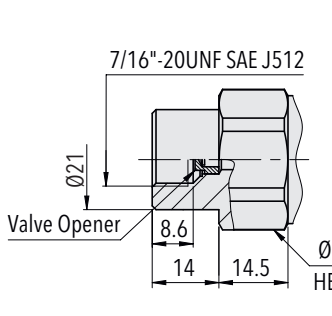
8473.XX.X643.XX.XX.XX



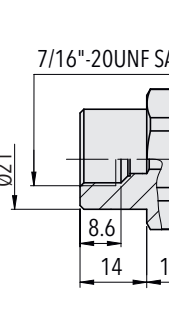
8473.XX.XX42.XX.XX.XX



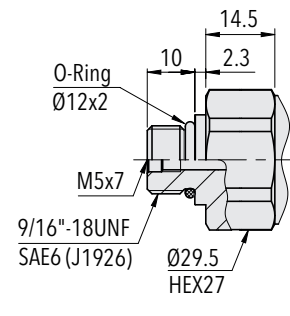
8473.XX.XX18.XX.XX.XX



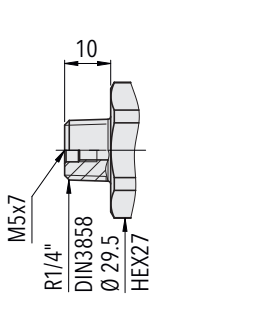
8473.XX.XX24.XX.XX.XX



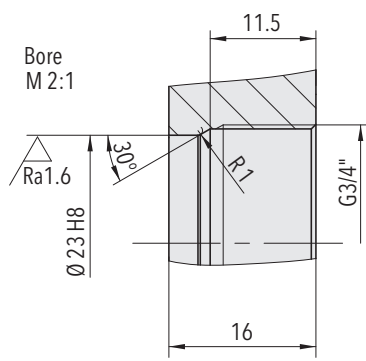
8473.XX.XX44.XX.XX.XX



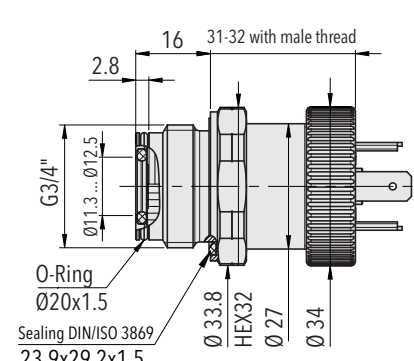
8473.XX.XX61.XX.XX.XX



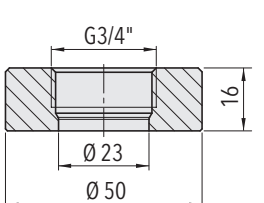
8473.XX.XX19.XX.XX.XX



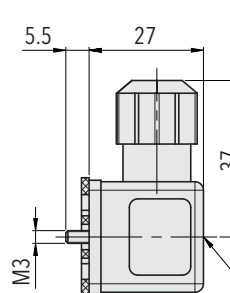
8473.XX.XX52.05.XX.XX



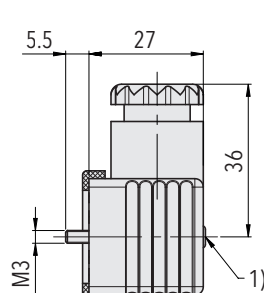
8473.XX.XXXX.XX.XX.58



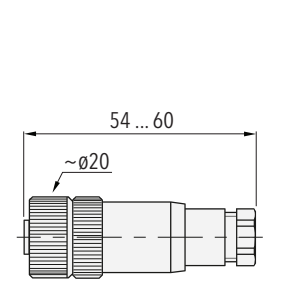
Welding flange (AISI 316L) for G3/4" frontal membrane
Ordering No. C27805



¹⁾Tightening torque 50 ... 60 Ncm
8473.XX.XXXX.XX.XX.46/56



8473.XX.XXXX.XX.XX.58



8473.XX.XXXX.XX.XX.33

Electrical connection

	Industrial standard EN175301-803A ²⁾	M12x1, 5-pole			
Electrical connection type code	05	35			
IP protection	IP65 ¹⁾	IP67 ¹⁾			
Ambient temperature	-25°C ... +125°C	-25°C ... +125°C			
UL-rated ambient temperature	-20°C ... +80°C	-20°C ... +80°C			
Pin assignment type code		92	94	G9	H1
Output signal 8473.xx.xxxx.xx.19					
	2 1 Earth	1 2 Earth	4 1 5	1 3 5	1 2 5
Pin assignment type code		98	97		E8
Output signal 8473.xx.xxxx.xx.14/16/17/23					
	2 3 1 Earth	3 1 2 Earth	1 3 2 Earth	2 4 3 5	1 3 2 5

¹⁾ Provided female electrical plug is mounted according to instructions

²⁾ Ventilation via male electric plug/cable end

³⁾ Only cable versions or female electrical plug with shield connection

i Empty 'Pin Assignment Type Code' field: Default pinout

Electrical connection

3 Way M MetriPack 1.5 sealed connector



Electrical connection type code	51	
IP protection	IP67 ¹⁾	
Ambient temperature	-40°C ... +125°C	
UL-rated ambient temperature	-20°C ... +80°C	
Pin assignment type code		E4
Output signal 8473.XX.XXXX.XX.19 	1 2	1 3
Pin assignment type code		99
Output signal 8473.XX.XXXX.XX.14/16/17/23 	1 3 2	1 2 3

¹⁾ Provided female electrical plug is mounted according to instructions

i Empty 'Pin Assignment Type Code' field: Default pinout

Electrical connection

	Cable ²⁾	Cable ²⁾	Cable ²⁾
Electrical connection type code	22	24	08
IP protection	IP68, max. 3m	IP68, max. 3m	IP68, max. 3m
Ambient temperature	-5°C ... +60°C	-20°C ... +70°C	-25°C ... +125°C
UL-rated ambient temperature	-5°C ... +60°C	-20°C ... +70°C	-20°C ... +80°C
Pin assignment type code			
Output signal 8473.xx.xxxx.xx.19 	White Brown Yellow	White Brown Yellow	Red Black Green
Pin assignment type code			
Output signal 8473.xx.xxxx.xx.14/16/17/23 for DC 	White Green Brown Yellow	White Green Brown Yellow	Red White Black Green

¹⁾ Provided female electrical plug is mounted according to instructions

²⁾ Ventilation via male electric plug/cable end

³⁾ Only cable versions or female electrical plug with shield connection

i Empty 'Pin Assignment Type Code' field: Default pinout

Reliable quality

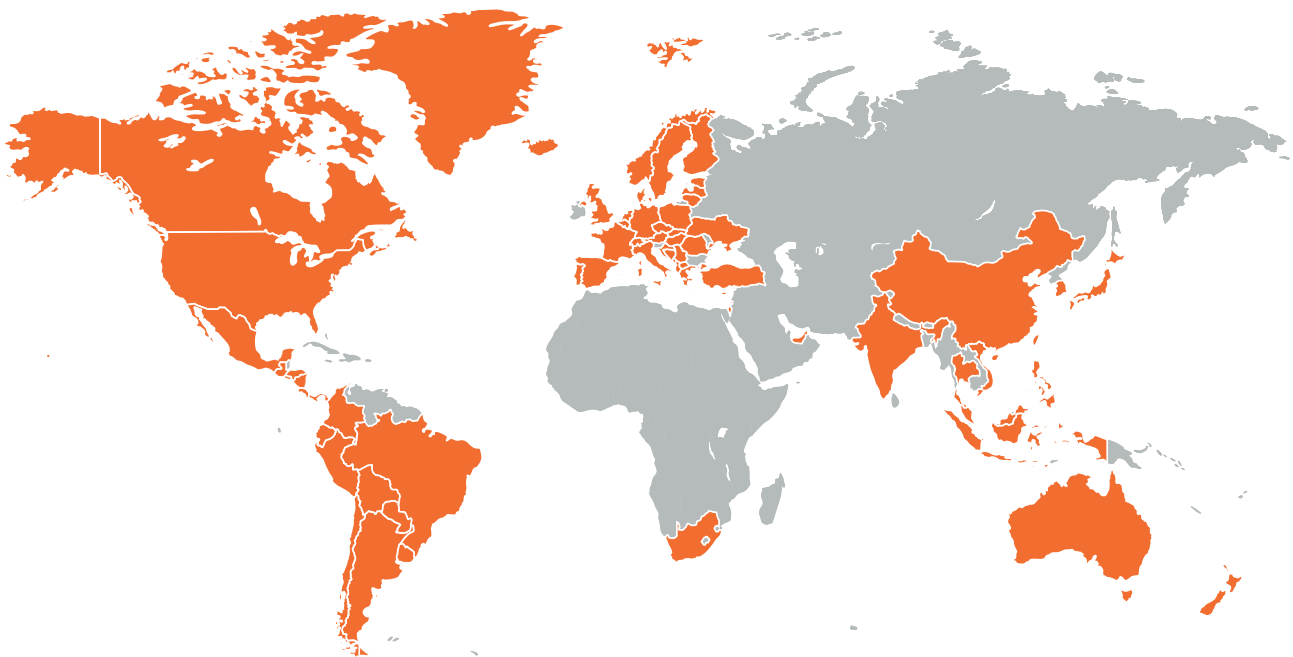
Worldwide represented, globally trusted, Swiss based

Trafag develops, produces and distributes robust, reliable and precise instruments for monitoring pressure, temperature and gas density.

The broad portfolio of pressure and temperature measuring instruments is tailored for use in test benches through to applications in harsh environments. The research and development departments in Switzerland and Germany develop all important components from the sensor to the application-specific microchip, which are

then manufactured in the production facilities in Switzerland, Germany, the Czech Republic, and India. Strict quality management according to ISO 9001 and ISO 14001 ensures that Trafag products meet the required quality and sustainability standards.

Trafag is headquartered in Switzerland, was founded in 1942 and has an extensive sales and service network in more than 40 countries worldwide.



Headquarters Switzerland

Trafag AG
Industriestrasse 11
8608 Bubikon (Switzerland)
+41 44 922 32 32
trafag@trafag.com
www.trafag.com

Coordinates of representatives can be found at www.trafag.com/trafag-worldwide



Pressure transmitters



Electronic pressure switches



Mechanical pressure switches



Pressure gauge



Thermostats



Temperature transmitters



Gas density