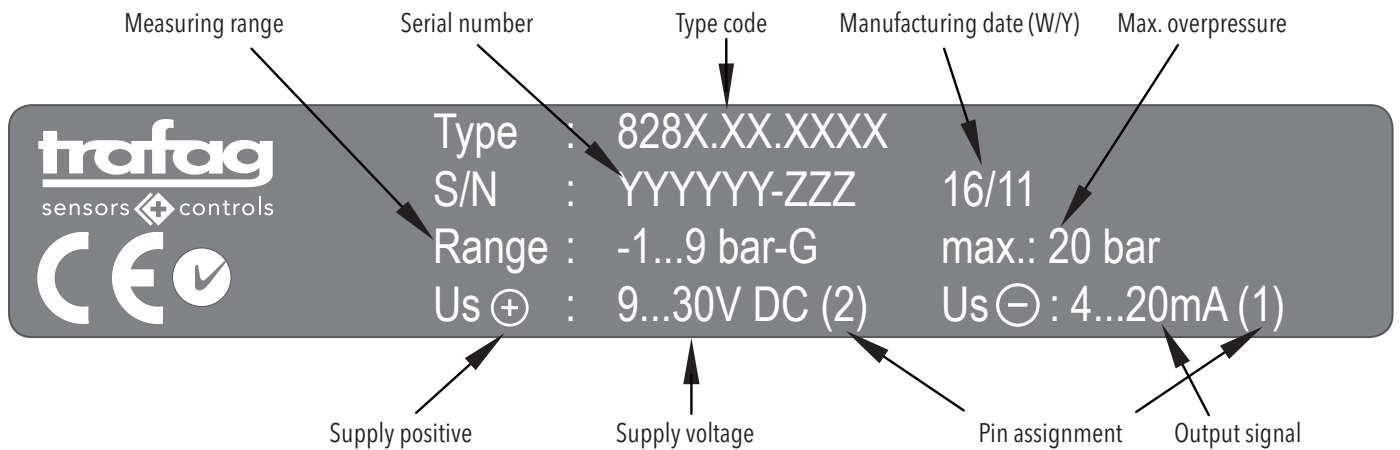


Technical specification

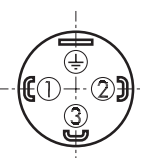
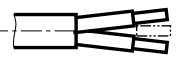
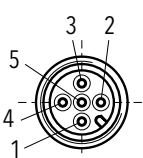
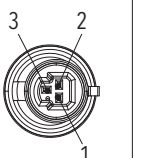
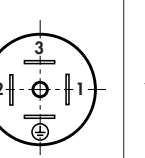
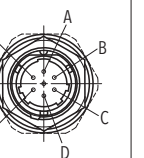
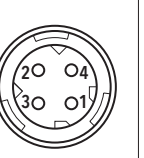
Mounting torque: 25 Nm
 Ambient temperature: -40°C ... +125°C
 Cable PVC: -5°C ... +60°C / Cable PUR: -20°C ... +70°C / Cable Raychem: -20°C ... +100°C
 Media temperature: -40°C ... +125°C,
 -25°C ... +125°C, -18°C ... +125°C, depending on seal material

Type label description



H733171 Trafag AG 04/2020

Electrical connections

Ingress Protection	IP65 ²⁾ IP67 ¹⁾	IP68 max. 3m	IP67 ²⁾	IP67 ²⁾	IP65	IP67	IP69K ²⁾
Designation	EN175301-803A (DIN43650-A)	Cable* (PVC) (PUR) 4 x 0.25mm ²	M12x1 5-pol.	Packard Metri Pack 3-pol.	Industrial Standard contact distance 9.4 mm	MIL-C 26482	DIN 72585 Code 1
Type code	828X.XX.XXXX 05	828X.XX.XXXX 24/22/08	828X.XX.XXXX 35	828X.XX.XXXX 51	828X.XX.XXXX 01	828X.XX.XXXX 02	828X.XX.XXXX 25
Pin configuration							

We reserve the right to make alternations as technical progress may warrant.

Output

4 ... 20 mA
 0 ... 5 VDC
 1 ... 6 VDC
 0 ... 10 VDC
 0.5 ... 4.5 VDC ratiom.

Load resistance

(U_{SUPPLY} - 9V) / 20mA
 > 2.5 kΩ
 > 5.0 kΩ
 > 5.0 kΩ
 ≥ 5.0 kΩ

I_{SUPPLY}

<10 mA
 <10 mA
 <10 mA
 ≤ 10 mA

U_{SUPPLY}

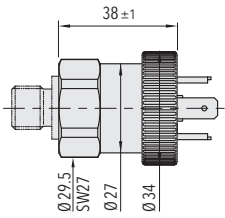
9 ... 32 VDC
 9 ... 32 VDC
 9 ... 32 VDC
 15 ... 32 VDC
 5 (4.75 ... 5.25) VDC

¹⁾ With Trafag IP67 connector only

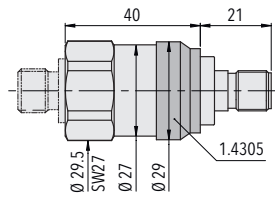
²⁾ Provided female connector is mounted according to instructions

* Ventilation via connector. Shield in the device is not connected

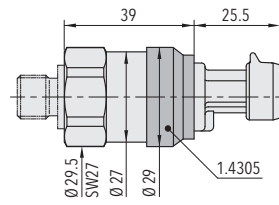
Electrical connections



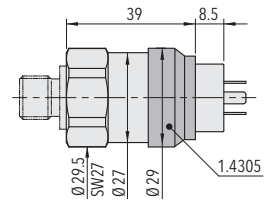
828X.XX.XXXX **05** XX.XX



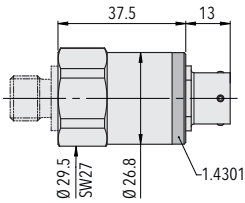
828X.XX.XXXX **35** XX.XX



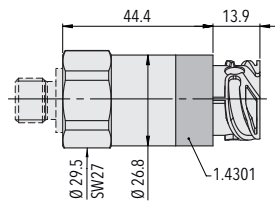
828X.XX.XXXX **51** XX.XX



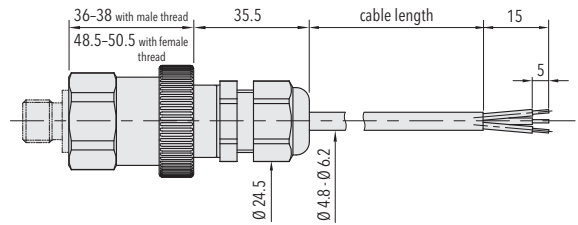
828X.XX.XXXX **01** XX.XX



828X.XX.XXXX **02** XX.XX

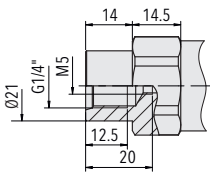


828X.XX.XXXX **25** XX.XX

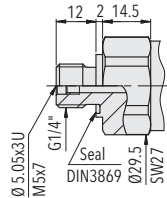


828X.XX.XXXX **24/22/08** XX.XX

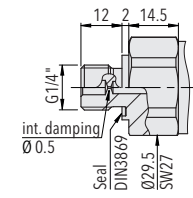
Pressure connections



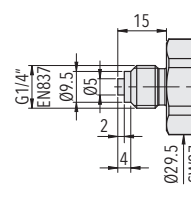
828X.XX.XX **10** XX...



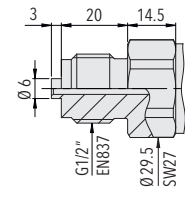
828X.XX.XX **17** XX...



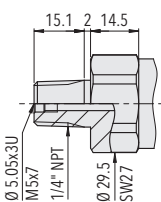
828X.XX.XX **15** XX...



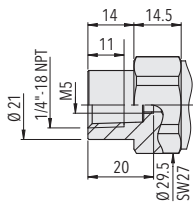
828X.XX.XX **53** XX...



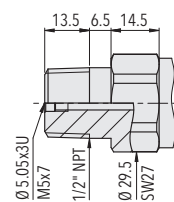
828X.XX.XX **11** XX...



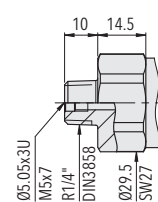
828X.XX.XX **30** XX...



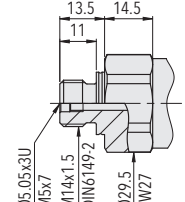
828X.XX.XX **13** XX...



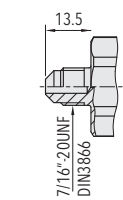
828X.XX.XX **51** XX...



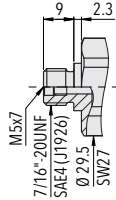
828X.XX.XX **19** XX...



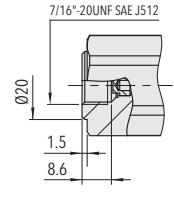
828X.XX.XX **31** XX...



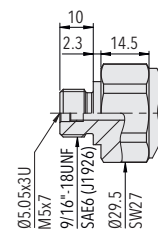
828X.XX.XX **18** XX...



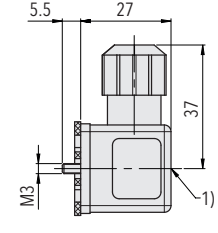
828X.XX.XX **42** XX...



828X.XX.XX **24** XX...



828X.XX.XX **61** XX...

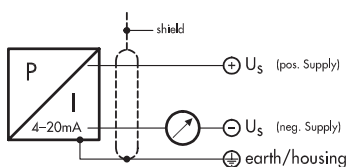


828X.XX.XXXX.XX.XX. **46/56**

1) Tightening torque 50...60 Ncm

Connection of the measuring equipment

Current output
2-wires



Voltage output
3-wires

